

# Today: I/O Systems

- How does I/O hardware influence the OS?
- What I/O services does the OS provide?
- How does the OS implement those services?
- How can the OS improve the performance of I/O?

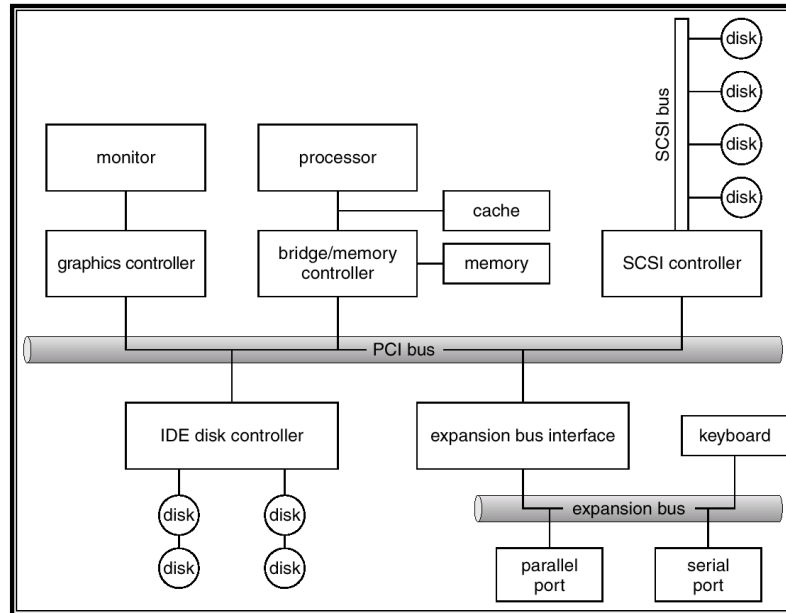


## Architecture of I/O Systems

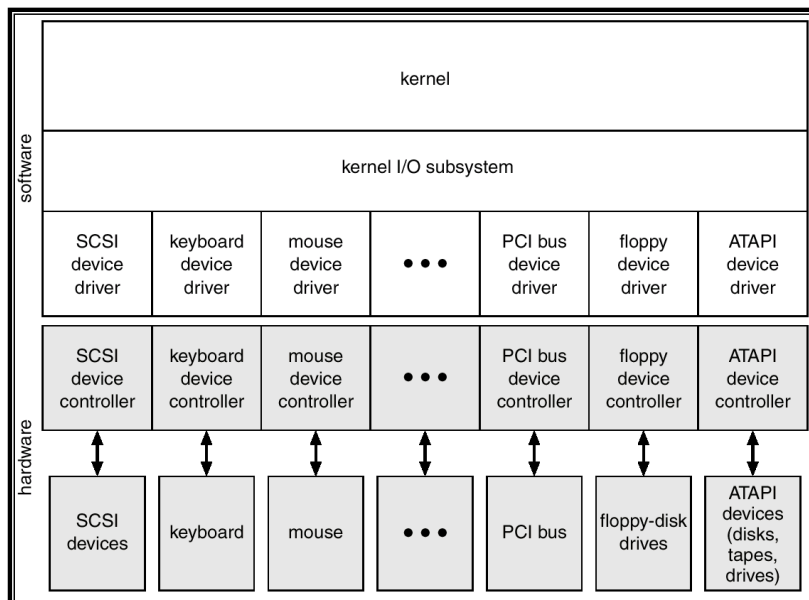
- Key components
  - **System bus:** allows the device to communicate with the CPU, typically shared by multiple devices.
  - A device **port** typically consisting of 4 registers:
    - **Status** indicates a device busy, data ready, or error condition
    - **Control:** command to perform
    - **Data-in:** data being sent from the device to the CPU
    - **Data-out:** data being sent from the CPU to the device
  - **Controller:** receives commands from the system bus, translates them into device actions, and reads/writes data onto the system bus.
  - The device itself
- Traditional devices: disk drive, printer, keyboard, modem, mouse, display
- Non-traditional devices: joystick, robot actuators, flying surfaces of an airplane, fuel injection system of a car, ...



# PCI Bus Structure



# Kernel I/O Subsystem



# Device I/O Port location on PCs

I/O address range (hexadecimal)	device
000-00F	DMA controller
020-021	interrupt controller
040-043	timer
200-20F	game controller
2F8-2FF	serial port (secondary)
320-32F	hard-disk controller
378-37F	parallel port
3D0-3DF	graphics controller
3F0-3F7	diskette-drive controller
3F8-3FF	serial port (primary)



## I/O Services Provided by OS

- Naming of files and devices. (On Unix, devices appear as files in the /dev directory)
- Access control.
- Operations appropriate to the files and devices.
- Device allocation.
- Buffering, caching, and spooling to allow efficient communication with devices.
- I/O scheduling.
- Error handling and failure recovery associated with devices (command retries, for example).
- Device drivers to implement device-specific behaviors.



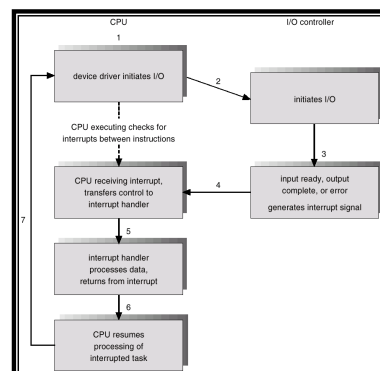
# Communication using Polling

- CPU busy-waits until the status is idle.
- CPU sets the command register and data-out if it is an output operation.
- CPU sets status to command-ready => controller sets status to busy.
- Controller reads the command register and performs the command, placing a value in data-in if it is an input command.
- If the operation succeeds, the controller changes the status to idle.
- CPU observes the change to idle and reads the data if it was an input operation.
- Good choice if data must be handled promptly, like for a modem or keyboard.
- What happens if the device is slow compared to the CPU?



# Communication using Interrupts

- Rather than using busy waiting, the device can interrupt the CPU when it completes an I/O operation.
- On an I/O interrupt:
  - Determine which device caused the interrupt.
  - If the last command was an input operation, retrieve the data from the device register.
  - Start the next operation for that device.



# Intel Pentium Event Vectors

vector number	description
0	divide error
1	debug exception
2	null interrupt
3	breakpoint
4	INTO-detected overflow
5	bound range exception
6	invalid opcode
7	device not available
8	double fault
9	coprocessor segment overrun (reserved)
10	invalid task state segment
11	segment not present
12	stack fault
13	general protection
14	page fault
15	(Intel reserved, do not use)
16	floating-point error
17	alignment check
18	machine check
19-31	(Intel reserved, do not use)
32-255	maskable interrupts



## Direct Memory Access

- For devices that transfer large volumes of data at a time (like a disk block), it is expensive to have the CPU retrieve these one byte at a time.
- **Solution:** Direct memory access (DMA)
  - Use a sophisticated DMA controller that can write directly to memory. Instead of data-in/data-out registers, it has an address register.
  - The CPU tells the DMA the locations of the source and destination of the transfer.
  - The DMA controller operates the bus and interrupts the CPU when the entire transfer is complete, instead of when each byte is ready.
  - The DMA controller and the CPU compete for the memory bus, slowing down the CPU somewhat, but still providing better performance than if the CPU had to do the transfer itself.



# Application Programmer's View of I/O Devices

- The OS provides a high-level interface to devices, greatly simplifying the programmer's job.
  - Standard interfaces are provided for related devices.
  - Device dependencies are encapsulated in device drivers.
  - New devices can be supported by providing a new device driver.
- **Device characteristics:**
  - Transfer unit: **character** or **block**
  - Access method: sequential or random access
  - Timing: synchronous or asynchronous.
    - Most devices are asynchronous, while I/O system calls are synchronous => The OS implements *blocking I/O*
  - Sharable or dedicated
  - Speed
  - Operations: Input, output, or both
  - Examples: keyboard (sequential, character), disk (block, random or sequential)



## Examples of I/O Device types

aspect	variation	example
data-transfer mode	character block	terminal disk
access method	sequential random	modem CD-ROM
transfer schedule	synchronous asynchronous	tape keyboard
sharing	dedicated sharable	tape keyboard
device speed	latency seek time transfer rate delay between operations	
I/O direction	read only write only read&write	CD-ROM graphics controller disk



# Block and Character devices

- Block devices include disk drives
  - Commands include read, write, seek
  - Raw I/O or file-system access
  - Memory-mapped file access possible
- Character devices include keyboards, mice, serial ports
  - Commands include `get`, `put`
  - Libraries layered on top allow line editing



## I/O Buffering

I/O devices typically contain a small on-board memory where they can store data temporarily before transferring to/from the CPU.

- A disk buffer stores a block when it is read from the disk.
- It is transferred over the bus by the DMA controller into a buffer in physical memory.
- The DMA controller interrupts the CPU when the transfer is done.



# Why buffer on the OS side?

- To cope with speed mismatches between device and CPU.
  - Example: Compute the contents of a display in a buffer (slow) and then zap the buffer to the screen (fast)
- To cope with devices that have different data transfer sizes.
  - Example: ftp brings the file over the network one packet at a time. Stores to disk happen one block at a time.
- To minimize the time a user process is blocked on a write.
  - Writes => copy data to a kernel buffer and return control to the user program. The write from the kernel buffer to the disk is done later.



## Caching

- Improve disk performance by reducing the number of disk accesses.
  - **Idea:** keep recently used disk blocks in main memory after the I/O call that brought them into memory completes.
  - **Example:** Read (diskAddress)  
If (block in memory) return value from memory  
Else ReadSector(diskAddress)
  - **Example:** Write (diskAddress)  
If (block in memory) update value in memory  
Else Allocate space in memory, read block from disk, and update value in memory
- What should happen when we write to a cache?
  - write-through policy (write to all levels of memory containing the block, including to disk). High reliability.
  - write-back policy (write only to the fastest memory containing the block, write to slower memories and disk sometime later). Faster.



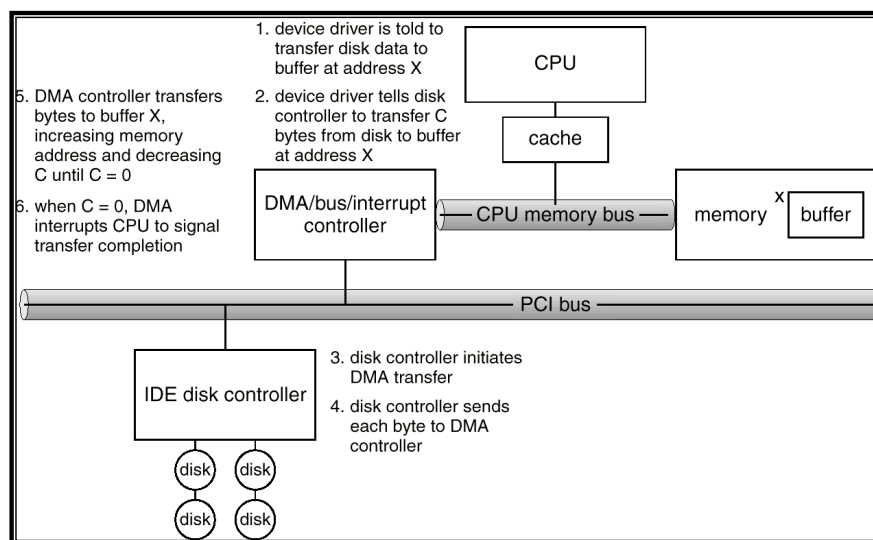


# Putting the Pieces Together - a Typical Read Call

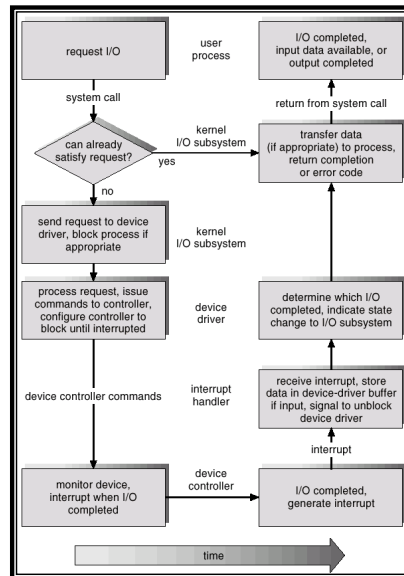
1. User process requests a read from a device.
2. OS checks if data is in a buffer. If not,
  - a) OS tells the device driver to perform input.
  - b) Device driver tells the DMA controller what to do and blocks itself.
  - c) DMA controller transfers the data to the kernel buffer when it has all been retrieved from the device.
  - d) DMA controller interrupts the CPU when the transfer is complete.
3. OS transfers the data to the user process and places the process in the ready queue.
4. When the process gets the CPU, it begins execution following the system call.



## Steps in DMA transfer



# I/O request Lifecycle



## Summary

- I/O is expensive for several reasons:
  - Slow devices and slow communication links
  - Contention from multiple processes.
  - I/O is typically supported via system calls and interrupt handling, which are slow.
- Approaches to improving performance:
  - Reduce data copying by caching in memory
  - Reduce interrupt frequency by using large data transfers
  - Offload computation from the main CPU by using DMA controllers.
  - Increase the number of devices to reduce contention for a single device and thereby improve CPU utilization.
  - Increase physical memory to reduce amount of time paging and thereby improve CPU utilization.



# Exam Review

## Deadlocks

Deadlock detection, avoidance, bankers algorithm

## Memory Management



# Deadlocks

Topics you should understand:

1. What are the four necessary conditions for deadlock to occur?
2. What is the difference between deadlock detection and deadlock prevention?
3. After detecting deadlock, what options are conceivable for recovering from deadlock?
4. What is a safe state? What is the difference between an unsafe state and a deadlocked state?



# Deadlocks

Things you should be able to do:

1. Given some code, reason about whether or not it is possible for deadlock to occur.
2. Given a state consisting of resources allocated to processes, processes waiting on resources, and available resources, determine if the processes are deadlocked.
3. Given a state consisting of resources allocated to processes, maximum resource requirements of processes, and available resources, determine if the state could lead to deadlock.
4. Given a state consisting of resources allocated to processes, maximum resource requirements of processes, and available resources, and a request for additional resources from a process, determine if the request can be safely satisfied.
5. Given some code that might deadlock, describe how you might change the algorithm to prevent deadlock.



# Memory Management

Topics you should understand:

1. What is virtual memory and why do we use it?
2. Memory allocation strategies:
  - Contiguous allocation (first-fit and best-fit algorithms)
  - Paging
  - Segmentation
  - Paged segmentation



# Memory Management (cont.)

For each strategy, understand these concepts:

- Address translation
- Hardware support required
- Coping with fragmentation
- Ability to grow processes
- Ability to share memory with other processes
- Ability to move processes
- Memory protection
- What needs to happen on a context switch to support memory management



# Memory Management (cont.)

Things you should be able to do:

- Given a request for memory, determine how the request can be satisfied using contiguous allocation.
- Given a virtual address and the necessary tables, determine the corresponding physical address.



# Paging

Topics you should understand:

- What is paging, a page, a page frame?
- What does the OS store in the page table?
- What is a TLB? How is one used?
- What is demand paging?
- What is a page fault, how does the OS know it needs to take one, and what does the OS do when a page fault occurs?



## Paging (cont.)

- Page replacement algorithms. For each understand how they work, advantages, disadvantages, and hardware requirements.
  1. FIFO
  2. MIN
  3. LRU
  4. Second chance
  5. Enhanced second chance
- How do global and per-process (aka local) allocation differ?
- What is temporal locality? What is spatial locality? What effect do these have on the performance of paging?
- What is a working set?



# Paging (cont.)

- What is thrashing and what are strategies to eliminate it?
- What considerations influence the page size that should be used?

Things you should be able to do:

1. Given a page reference string and a fixed number of page frames, determine how the different replacement algorithms would handle the page faults.



# File Systems

Topics you should understand:

1. What is a file, a file type?
2. What types of access are typical for files?
3. What does the OS do on a file open, file close?
4. What is a directory?
5. What is a link?
6. What happens if the directory structure is a graph?
7. How does an OS support multiple users of shared files?
8. Strategies for laying files out on disk. Advantages and disadvantages.
  - a) Contiguous allocation
  - b) Linked
  - c) Indexed



# I/O Systems

Topics you should understand

- Direct Memory Access
- Polling and Interrupts
- Caching and Buffering



## General Skills

- You should have a good sense of how the pieces fit together and how changes in one part of the OS might impact another.
- You will **not** be asked to read or write C++ code.
- You will **not** be asked detailed questions about any specific operating system, such as Unix, Nachos, Windows NT, ...

